



ASY Electronics (Jiaxing) Co., Ltd

Business inquiries: +86 181 5734 3325

E-mail: [sales@king-sen.com](mailto:sales@king-sen.com) Website: [www.asyjx.com](http://www.asyjx.com)

Address: Room 302, Building 11, No. 79 Jinsui Road, Economic and Technological Development Zone, Jiaxing , Zhejiang P.R. China

# KL-CS15W Smart dehumidifier

## Mini type user manual



Please read the instruction manual before installing and using the product.



## 1. Overview

The KS-CS15W intelligent dehumidifier uses semiconductor refrigeration dehumidification. It actively draws humid air from a closed space into the dehumidification duct under the action of a fan. The water vapor in the air condenses into water after passing through the semiconductor refrigeration mechanism, and then is discharged from the cabinet through the water pipe, which can achieve a very good dehumidification effect.

When the dehumidification function is not manually activated: the dehumidifier will automatically start dehumidifying when the ambient humidity is higher than the maximum humidity value (humidity setting value plus humidity hysteresis value); and will stop dehumidifying when the ambient humidity is lower than the minimum humidity value (humidity setting value minus humidity hysteresis value).

When the dehumidification function is manually turned on: the dehumidifier will continue to dehumidify until the dehumidification function is manually turned off.

## 2. Technical parameters

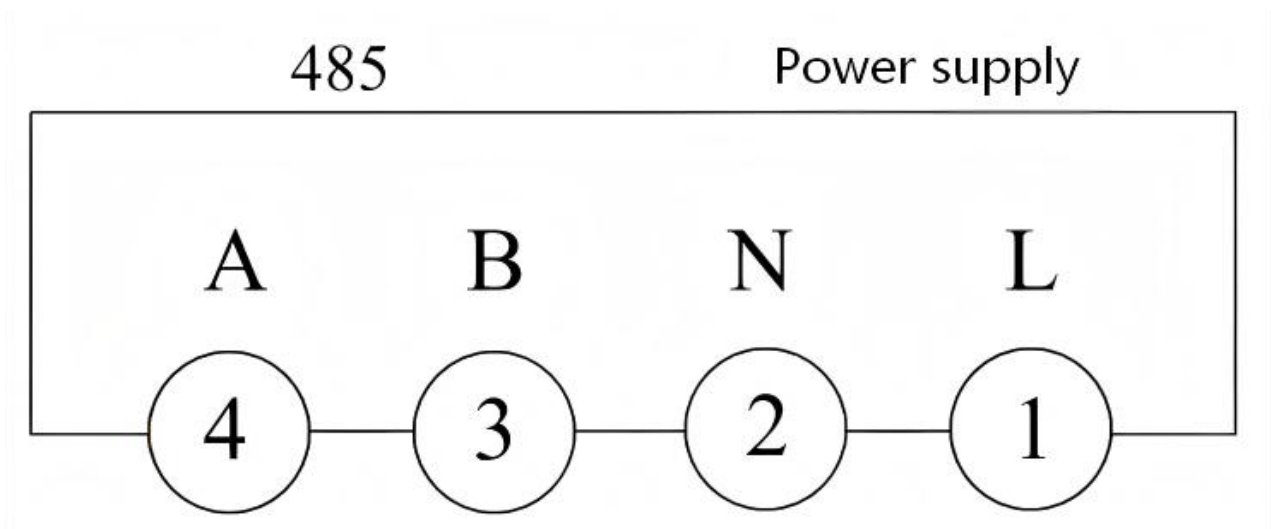
Input specifications	1-channel temperature and humidity input module	Working power supply	AC/DC 85-260V
Temperature range	Temperature -9 to +80°C	Control method	Position control
Measurement range	Humidity 5%RH-95%RH	Product power	The dehumidifier consumes 15W when it starts.
Humidity resolution	Humidity 1%RH	Work environment	Temperature 0-50°C, Non-corrosive environments with humidity $\leq 85\%RH$



Temperature resolution	Temperature 1°C	Basic error	Humidity: ±3%RH (10%RH-90%RH) ±5%RH (0%RH-99%RH)
------------------------	-----------------	-------------	---

### 3. Installation and wiring

#### 3.1 Controller wiring dimensions



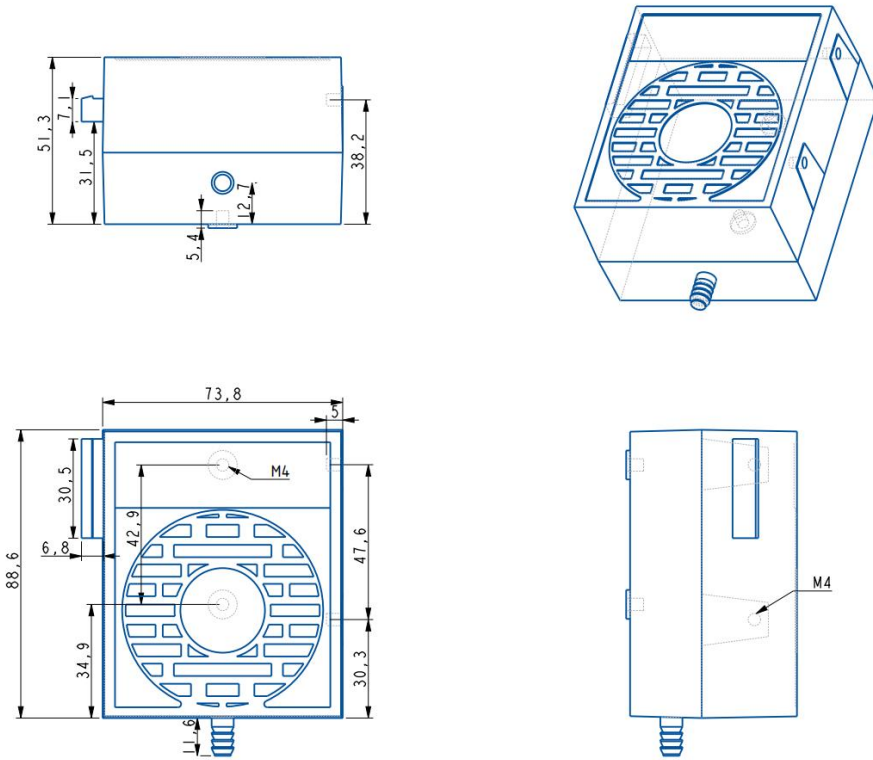


ASY Electronics (Jiaxing) Co., Ltd

Business inquiries: +86 181 5734 3325

E-mail: [sales@king-sen.com](mailto:sales@king-sen.com) Website: [www.asyjx.com](http://www.asyjx.com)

Address: Room 302, Building 11, No. 79 Jinsui Road, Economic and Technological Development Zone, Jiaxing , Zhejiang P.R. China



### 3.2 Wiring diagram

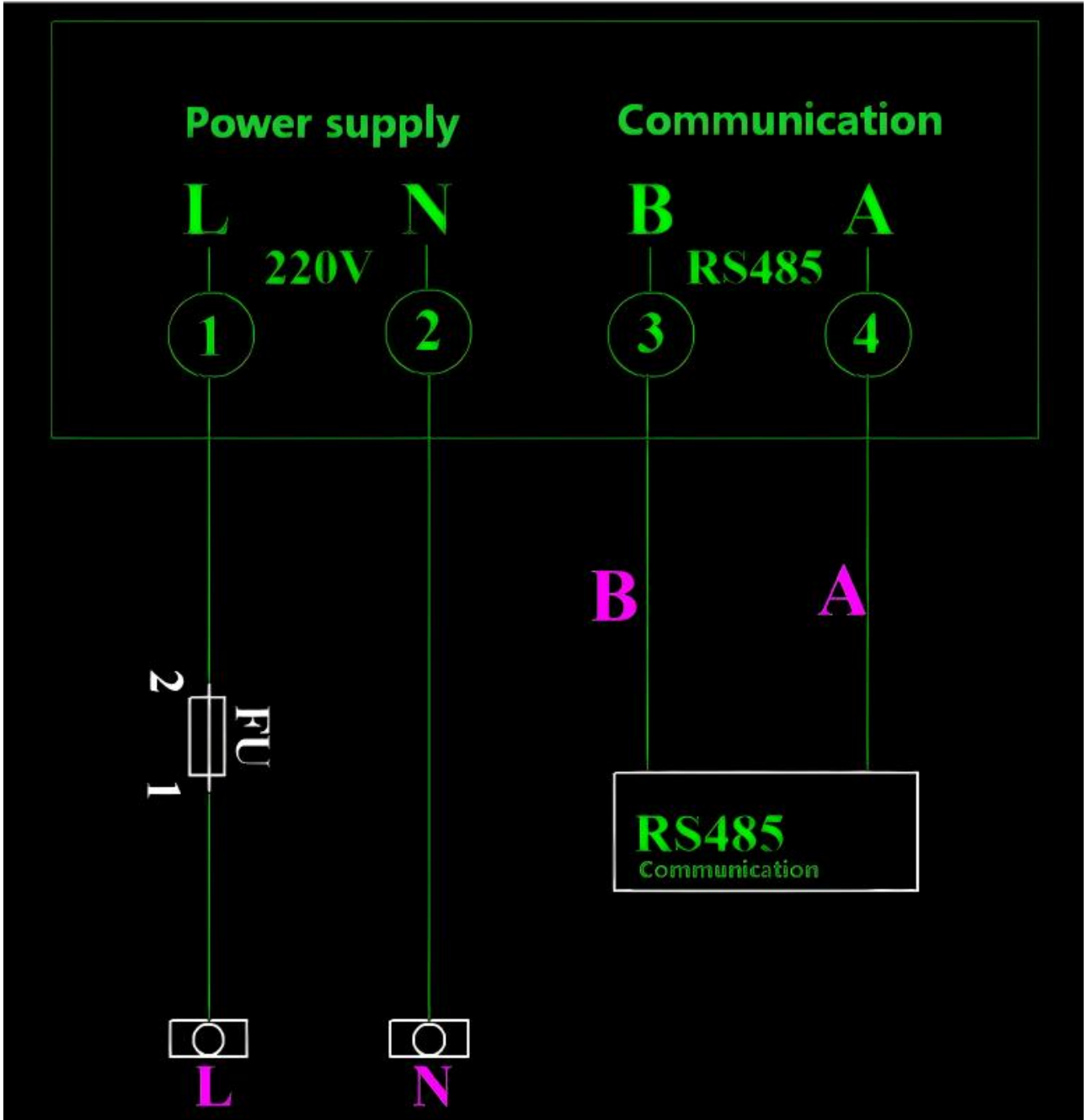


ASY Electronics (Jiaxing) Co., Ltd

Business inquiries: +86 181 5734 3325

E-mail: [sales@king-sen.com](mailto:sales@king-sen.com) Website: [www.asyjx.com](http://www.asyjx.com)

Address: Room 302, Building 11, No. 79 Jinsui Road, Economic and Technological Development Zone, Jiaxing , Zhejiang P.R. China





### 3.3 Sensor installation method: Composite

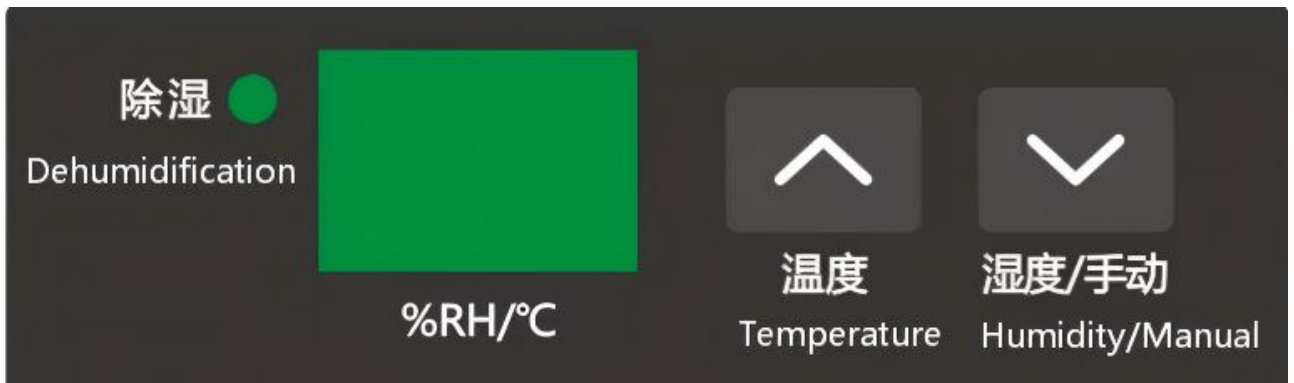
(1) Use 35mm guide rail for installation or screw fixing.

(2) Wall-mounted installation

When connecting, ensure the markings on the sensor and controller correspond.

## 4. Programming and usage

### 4.1 Panel appearance



### 4.2 Indicator light definition:

Indicator light definition

Green light: Indicates the current humidity level.

Flashing light: Indicates manual dehumidification is on.

Red light: Indicates the current temperature value.

Slow flashing light: Indicates automatic dehumidification is on.

### 4.3 Parameter setting menu:



Serial Number	Parameter name	Parameter range	illustrate
1	Humidity control value	0-99.9%RH	Factory setting is 6.5 %RH ( adjustable from 20% to 85 %).
2	Mailing address	1-99	This is used to set the device's local communication address, which is unique throughout the entire communication bus.
3	baud rate	1/2/3	Factory default settings 3 (1: 2400bps 2: 4800bps 3: 9600bps)

#### 4.4 Button description

Press and hold both buttons for 3 seconds↓

Show menu page ↓

Press the left/right mouse button to switch menus.↓

Press and hold both buttons for 3 seconds to display a submenu for adjusting parameters. ↓

The menu page displays HU, with humidity control values of 065. The factory setting is 65RH% (adjustable from 20% to 90%RH).

Press the ▲ + key to change it to 090. If 090 is displayed, press the ▼- key to change it to 020.

Completing the third setting in the menu , press and hold both buttons for 3 seconds to automatically save the settings and exit the settings menu to return to the main monitoring page. ↓

The menu page displays "Ad", and the communication address is 001. The factory default setting is 1 (adjustable from 1 to 255).

Press the ▲ + key to change it to 225. If 225 is displayed, press the ▼- key to



change it to 001.

After completing the first setting in the menu, press and hold both buttons for 3 seconds to automatically save the settings and exit the settings menu to return to the main monitoring page. ↓

Long press ▼ to switch between automatic and manual modes

A short press ▲ ▼ switches between real-time humidity and temperature data.

#### **4.4 Maintenance and repair**

The dehumidifier should be calibrated annually. If the dehumidifier's error exceeds the acceptable range, and cleaning and drying the internal components cannot restore its accuracy, the dehumidifier should be considered faulty and returned to the manufacturer for repair. Sensors should be protected from immersion in water and prolonged overheating to avoid damaging sensitive components.

#### **4.5 Transportation and storage**

4.51 The handling and transportation of dehumidification devices shall comply with the provisions of GB/T191-2000 regarding handling with care, upward orientation, moisture protection, and stacking limits.

4.52 Dehumidifiers should be stored in warehouses with an ambient temperature of -20 to 55°C and a relative humidity of no more than 85%. They should not be stored in the open air. The warehouses should also be moisture-proof and well-ventilated, and should be kept away from places with strong magnetic fields, high temperatures, or corrosive gases.

#### **4.6 After-sales service**

1-2 months from the date of manufacture . If the damage is caused by improper use by the user or the warranty period has expired, an appropriate repair fee will be charged.



ASY Electronics (Jiaxing) Co., Ltd

Business inquiries: +86 181 5734 3325

E-mail: [sales@king-sen.com](mailto:sales@king-sen.com) Website: [www.asyjx.com](http://www.asyjx.com)

Address: Room 302, Building 11, No. 79 Jinsui Road, Economic and Technological Development Zone, Jiaxing , Zhejiang P.R. China

## 5. Contact Us



Business Phone: 18157343325 Lila Xu

Technical Phone: 18057302496 Wailly Yang

E-mail: [sales@king-sen.com](mailto:sales@king-sen.com)

Office website: [www.asyjx.com](http://www.asyjx.com)

Address: Room 302, Building 11, No. 79 Jinsui Road,  
Economic and Technological Development Zone,  
Jiaxing , Zhejiang P.R. China

\*This information product images and technical data is for reference only, if subject to update without prior notice, the specific content of the right to interpret ASY Electronics (Jiaxing) Co., Ltd.